

SIGMA STREET LIGHT 143 W



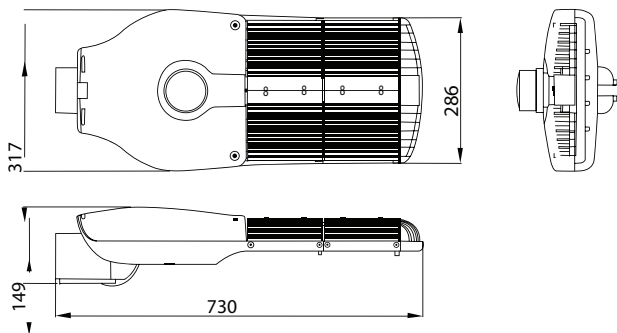
PRODUCT DESCRIPTION

Sigma Street Light 143W replaces existing lamppost heads.

Reduction of maintenance tasks is particularly appreciated when it comes to specific constraints such as public lighting. Robust and reliable, Sigma Street Light 143W is a good value product providing quick return on investment.

- Adaptation to existing masts
- Resistant to shocks and vibrations
- No blinding or ultraviolet
- Photovoltaic panels can be installed

DIMENSIONAL DRAWING



APPLICATIONS

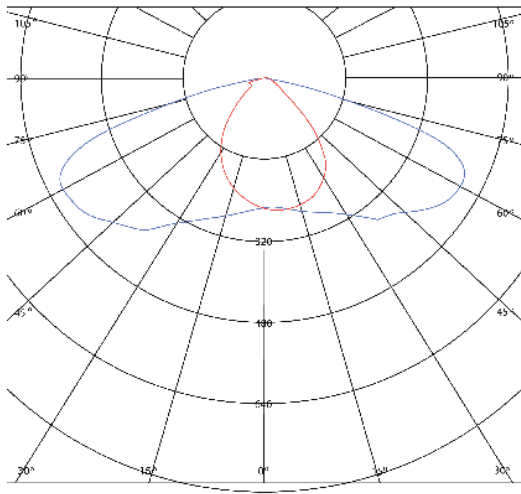
- > PUBLIC LIGHTING
- > ROAD LIGHTING
- > OUTDOOR LIGHTING
- > PARKING LOTS

FEATURES

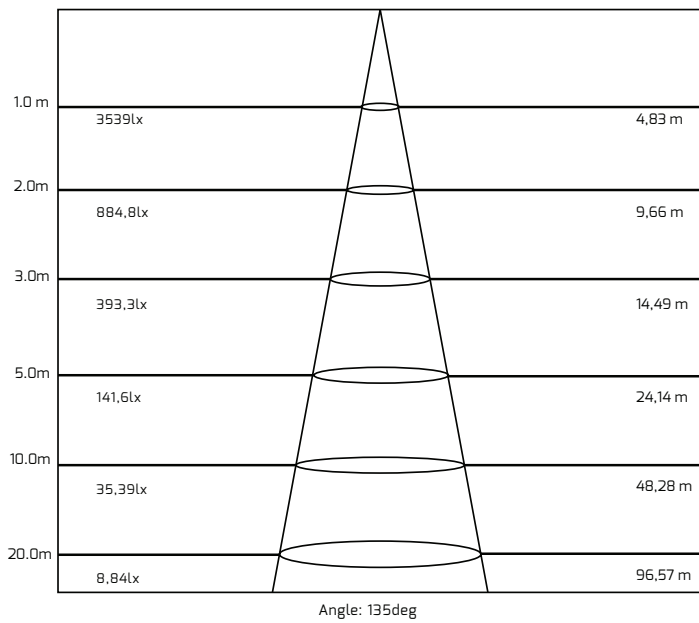
Reference	Designation	Power (Watt)	Color temperature (Kelvin)	Ingress Protection	Voltage	CRI	Viewing angle	Lumens
STREET 143 402 03	Sigma Street Light 143 W	143 W	5 000K	IP 66	AC 90 - 260 V	70	135°	13 728

SIGMA STREET LIGHT 143W

PHOTOMETRIC INFORMATIONS 143W



CONE OF LIGHT 143W 5 000K



ENVIRONMENT



PRODUCT

