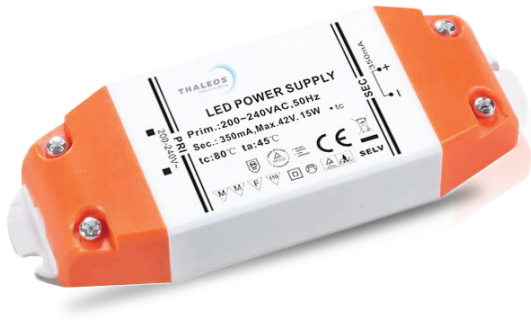


ACCESS DRIVER 50W

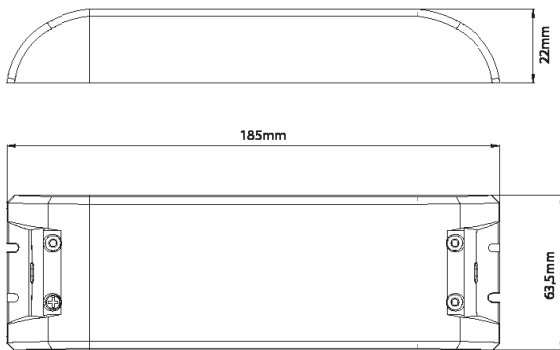
PRODUCT DESCRIPTION

The Access Driver 50 W is the converter of the 220 AC alternating voltage by 12 VDC direct current.

- Supports low voltage spot
- Special driver LED
- Reduce size



DIMENSIONAL DRAWING



COMPATIBILITY

- > AURA STRIPLED MONOCHROME - RGB
- > FIRST GU 5.3 / AURA GU5.3
- > AURA AR111

FEATURES

Reference	Designation	Power	Voltage	Dimension	Amp
DRI 050 06	ACCESS DRIVER 50W	50W	Entrée : AC 180 - 264 V Sortie : 12VDC	81x23x74mm	4,17A



RoHS



LIFESPAN
25000 H



THALEOS