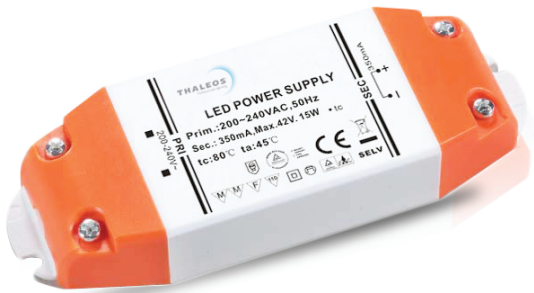


ACCESS DRIVER 12W

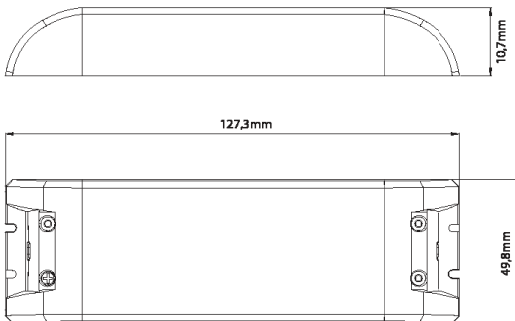
PRODUCT DESCRIPTION

The Access Driver 12 W is the converter of the 220 AC alternating voltage by 12 VDC direct current.

- Supports low voltage spot
- Special driver LED
- Reduce size



DIMENSIONAL DRAWING



COMPATIBILITY

- > AURA STRIPLED MONOCHROME - RGB
- > FIRST GU 5.3 / AURA GU5.3
- > AURA AR111

FEATURES

Reference	Designation	Power	voltage	Dimensions	Amp
DRI 012 02	ACCESS DRIVER 12W	12W	input : AC 180 - 264 V Output : 12VDC	81x23x74mm	1.0A